



coffeeing the World

SILVIA



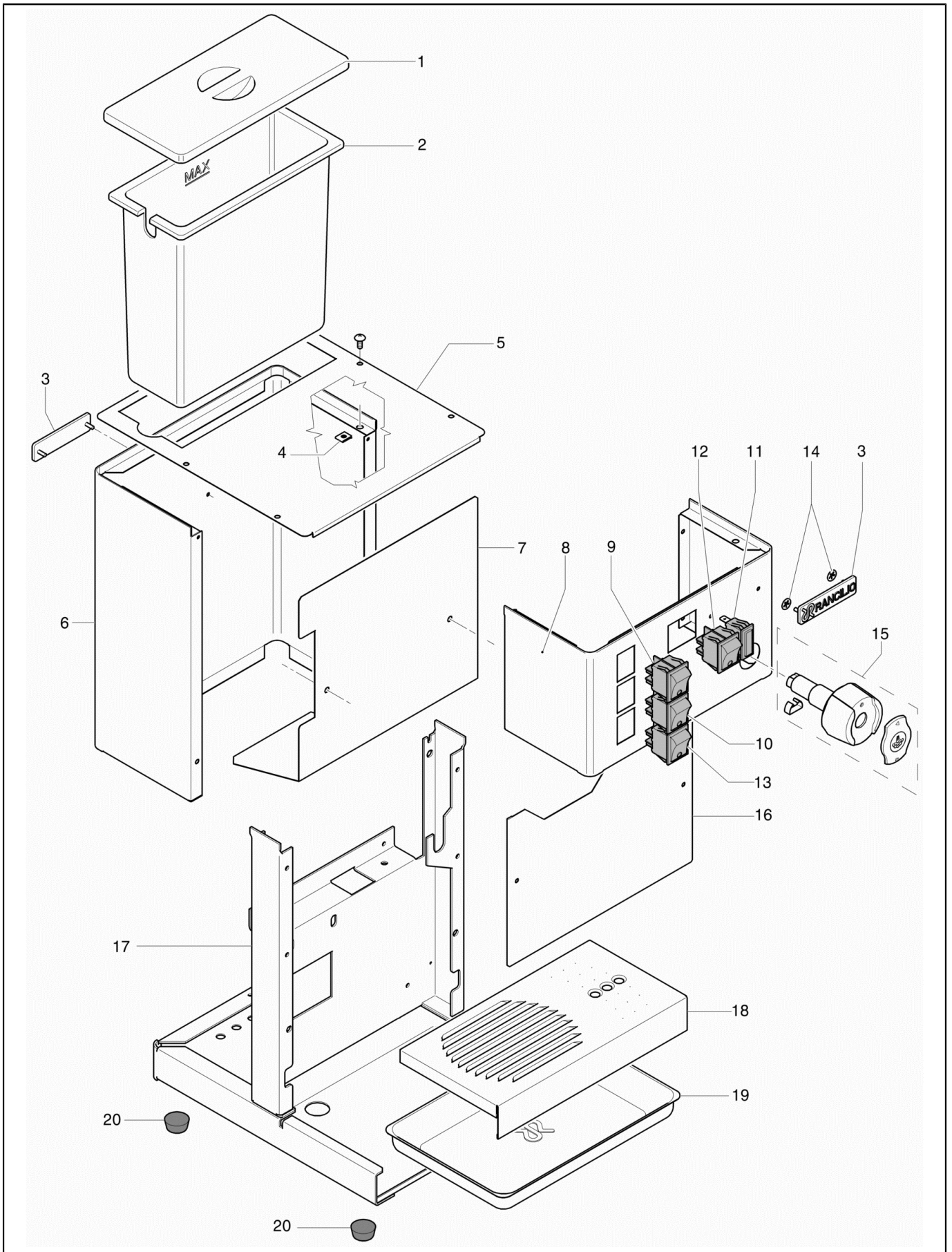
HOME LINE



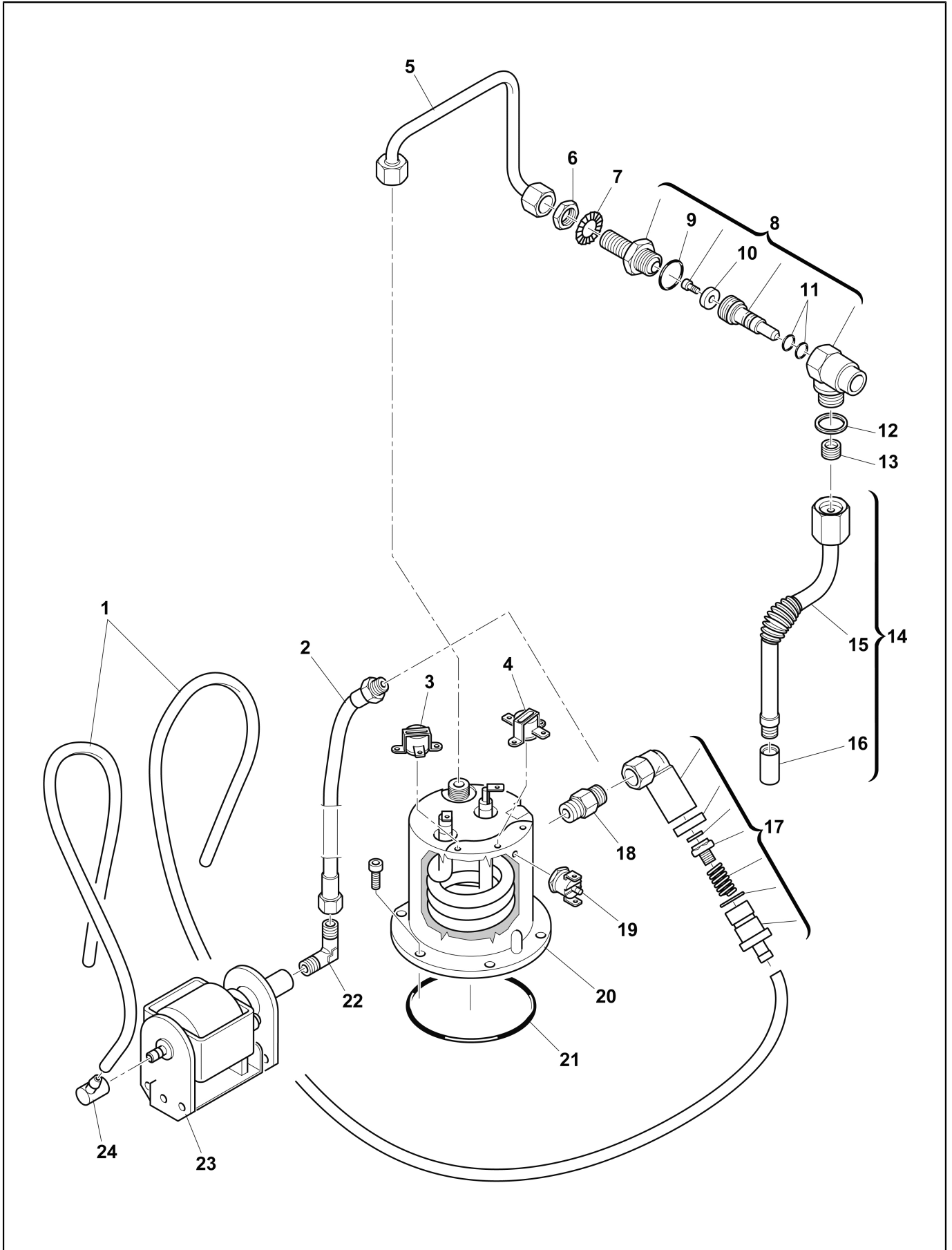
coffeeing the World

Index

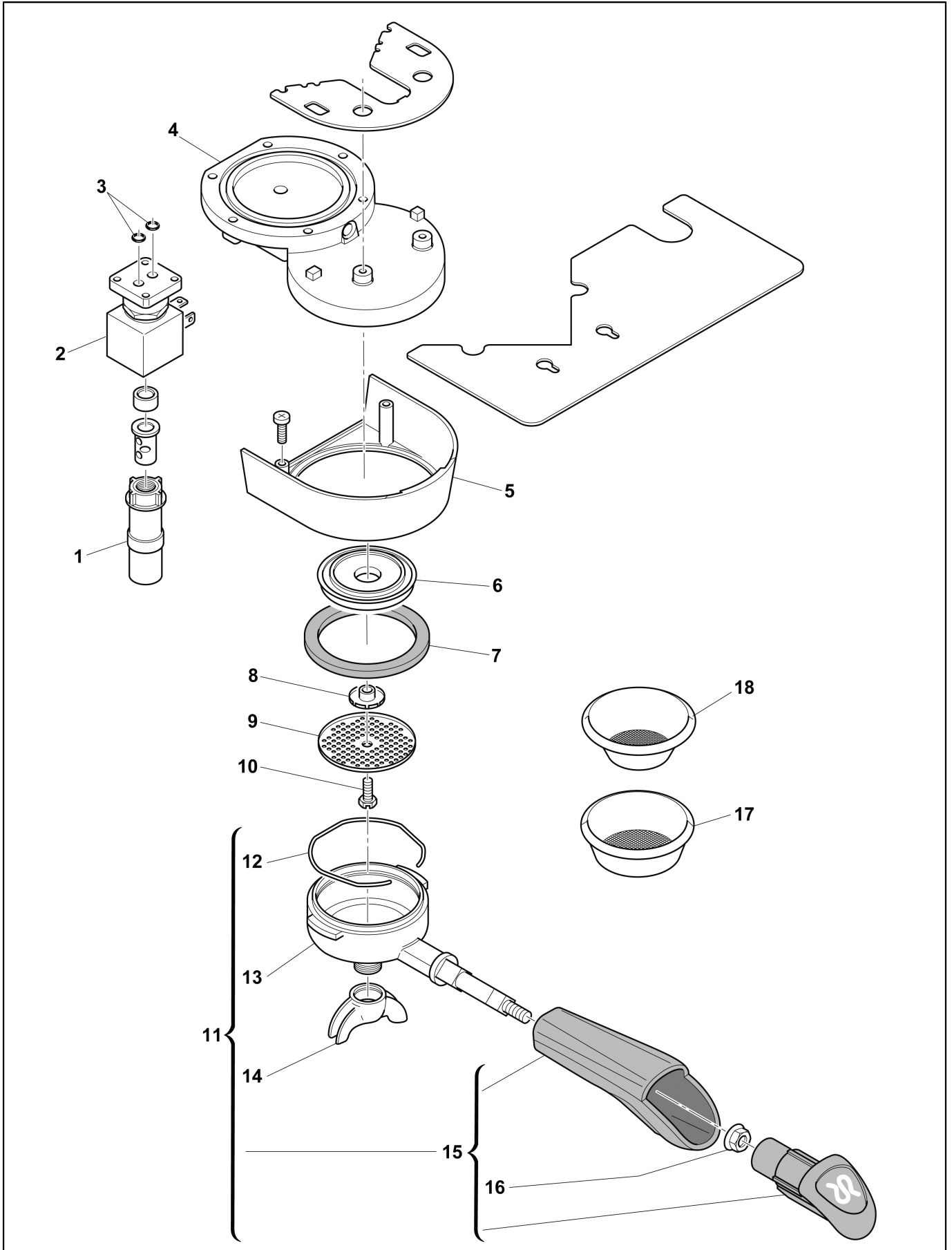
Table 14001/08 - HOUSING SILVIA.....	4
Table 14002/08 - COFFEE CIRCUIT SILVIA.....	6
Table 14003/08 - BREWING GROUP SILVIA.....	8
Alphanumeric index.....	10



POS.	CODE	DESCRIPTION	QTY	START DATE	END DATE	NOTES
1	38123011	COVER	1			
2	38123012	WATER TANK	1			
3	42200121	Rancilio Plate MM 70	1			
4	37900809	Plate U/8/11/9	1			
5	32330363	SILVIA TOP	1			
6	32330362	SILVIA BODY	1			
7	32330367	SILVIA SHIELD	1			
8	32330361	SILVIA FACE	1			
9	34030047	TECNA COFFEE SWITCH	1			
10	34030029	SWITCH WATER STYLE	1			
11	34030060	INDICATOR 220V	1			
12	34030037	ON-OFF SWITCH SILVIA /08	1			
13	34030038	STEAM SWITCH FANTASY	1			
14	37900505	ROUND FIXER D3 H106	1			
15	10060186	WHOLE STEAM HAND WHEEL SILVIA /08	1			
16	32330370	SILVIA/08 MOULDING	1			
17	10880150	SILVIA FRAME	1			
18	32330369	SILVIA LEAVE-CUP GRATE	1			
19	32330365	SILVIA DRAIN TANK	1			
20	36310008	NANCY Support black	1			



POS.	CODE	DESCRIPTION	QTY	START DATE	END DATE	NOTES
1	38228002	Silicone hose D. 9 x 6mmL = 560 mm	1			
2	69000702	FLEX PIPE INOX LONGE MM.190 1/8F 1/8M	1			
3	34200059	THERMOSTAT 100 MISS	1			
4	34200055	THERMOSTAT 140°	1			
5	10042109	PIPE BOILER-STEAM COCK SILVIA	1			
6	23217005	LOW NUT 1/4" GAS	1			
7	37431400	WASHER DIAM.14	1			
8	10705169	STEAM COCK COMPLETE SILVIA 08	1			
9	27350001	GASKET 3/8"	1			
10	36302002	VALVE GASKET	1			
11	36402001	Gasket OR 105	1			
12	36930017	Joint	1			
13	39110038	Spring	1			
14	10049063	STEAM PIPE SILVIA	1			
15	36990004	Rubber for Steam PIPES	1			
16	23000115	STEAM SPRAYER SILVIA	1			
17	10060406	EXPANSION VALVE MISS	1			
18	23000052	STEAM JUNCTION BOILER-EXPENC. VALVE MISS	1			
19	34200058	THERMOSTAT 165° TY 60R	1			
20	20102946	BOILER MISS+HEATING ELEM.230V	1			
21	36405001	GASKET OR177 MISS SIL70	1			
22	69200070	FITTING 1/8M 1/8M	1			
23	34011023	PUMP EP5 120V NEW	1			
	34011026	PUMP EP5 230V	1			
24	38121034	PIPE PUMPS EP5	1			



POS.	CODE	DESCRIPTION	QTY	START DATE	END DATE	NOTES
1	10090002	THERM.GROUP JETBREAKER	1			
2	34040012	220V 3Way ELEC.VALVE	1			
3	36402001	Gasket OR 105	1			
4	20103021	BODY SILVIA /08	1			
5	38123549	GROUP COVER SILVIA	1			
6	20200181	SPACE GROUP NICKEL	1			
7	36301030	FILTER-HOLDER GASKET	1			
8	25139001	GROUP JETBREAKER	1			
9	40200005	SHOWER NET	1			
10	37030518	SHOWER SCREW	1			
11	10070108	FILTER HOLDER COMPLETE	1			
12	25105001	FILTER SPRING	1			
13	20112011	FILTER-HOLDER	1			
14	20112111	WHOLE 2 DOSE BEAK MISS NUO	1			
15	10705091	KIT FILTER HOLDER TAP 07	1			
16	37320800	Nut M 8	1			
17	40100010	2 CUP FILTER	1			
18	40100001	1-CUP LOWER FILTER	1			

Code	No. table	Pos.
10042109	14002/08	5
10049063	14002/08	14
10060186	14001/08	15
10060406	14002/08	17
10070108	14003/08	11
10090002	14003/08	1
10705091	14003/08	15
10705169	14002/08	8
10880150	14001/08	17
20102946	14002/08	20
20103021	14003/08	4
20112011	14003/08	13
20112111	14003/08	14
20200181	14003/08	6
23000052	14002/08	18
23000115	14002/08	16
23217005	14002/08	6
25105001	14003/08	12
25139001	14003/08	8
27350001	14002/08	9
32330361	14001/08	8
32330362	14001/08	6
32330363	14001/08	5
32330365	14001/08	19
32330367	14001/08	7
32330369	14001/08	18
32330370	14001/08	16
34011023	14002/08	23
34011026	14002/08	23
34030029	14001/08	10
34030037	14001/08	12
34030038	14001/08	13
34030047	14001/08	9
34030060	14001/08	11
34040012	14003/08	2
34200055	14002/08	4
34200058	14002/08	19
34200059	14002/08	3
36301030	14003/08	7
36302002	14002/08	10
36310008	14001/08	20
36402001	14002/08	11
36402001	14003/08	3
36405001	14002/08	21
36930017	14002/08	12
36990004	14002/08	15
37030518	14003/08	10
37320800	14003/08	16
37431400	14002/08	7
37900505	14001/08	14
37900809	14001/08	4
38121034	14002/08	24
38123011	14001/08	1
38123012	14001/08	2
38123549	14003/08	5
38228002	14002/08	1
39110038	14002/08	13
40100001	14003/08	18
40100010	14003/08	17
40200005	14003/08	9
42200121	14001/08	3
69000702	14002/08	2
69200070	14002/08	22



ITALY

Rancilio Macchine per caffè S.p.A.
Viale della Repubblica 40
20010 Villastanza di Parabiago
Milano Italy
Tel +39 0331 408200
Fax +39 0331 551437
www.rancilio.it
info@rancilio.it

SPAIN

Rancilio Espana, s.a.
Gran Via de Carlos III, 84 3ª
Edificio Trade
08028 Barcelona Spain
Tel. +34 902 884 275
Tel. +34 934 923 414
Fax +34 93 496 57 01
www.rancilio.com
info@rancilio.es

PORTUGAL

RANCILIO PORTUGAL LDA
Estrada da Falagueira nº 68 E
2700-365 Amadora Portugal
Tel. +35 121 019 1091
Fax +35 121 019 1091
www.rancilio.com
info@rancilio.pt

USA

Rancilio North America Inc.
8102 S.Lemont Rd. #1200
Woodridge, IL 60517 USA
Tel +1 630 427 1703
Fax +1 630 427 1713
www.rancilio.com
info@rancilio-na.com

ASIA

Asian Market Access HK Ltd
601 Tak Woo House
17-19 D'aguilar Street Central
Hong Kong
Tel +852 2521 7839
Fax +852 2521 5787
www.rancilio.com

